

# R-30 BAGGER JACK ASSEMBLY & DISASSEMBLY INSTRUCTIONS

## TO DISASSEMBLE THE R-30 JACK

TOOLS REQUIRED :  
1 SCREWDRIVER & 1 PENCIL

- 1 REMOVE PLASTIC HOOK.
- 2 REMOVE PLASTIC CAP, PULL UP THE SLIDING TUBE AND REMOVE THE BEARING CLUTCH AND CONICAL CUP.
- 3 PLACE THE R-30 BAGGER ON ITS BACK ON A FLAT SURFACE WITH THE FOOT PEDAL UP. SUPPORT THE TUBE BODY SO THAT IT IS LEVEL. (SEE FIGURE 1)



FIGURE 1

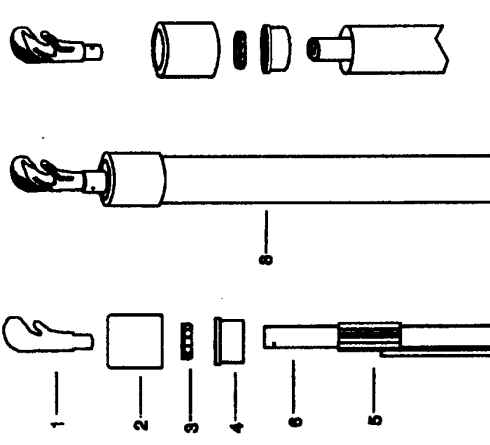
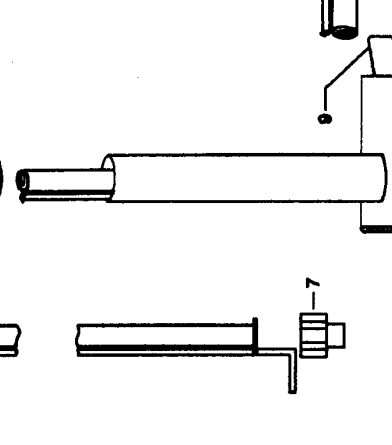
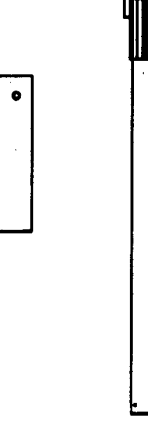
4. USE THE PENCIL OR OTHER LONG THIN OBJECT TO PUSH THE IMPACT STOPPER UP INTO THE UPRIGHT TUBE. (SEE FIGURE 2)
- TURN UNIT UPSIDE DOWN ALLOWING STOPPER TO SLIDE TOWARDS THE OPEN END OF THE TUBE.
6. REMOVE FOOT PEDAL. PUSH THE TRIP ROD INTO THE UPRIGHT TUBE AND PULL THE SLIDING TUBE OUT OF THE OPEN END OF THE UPRIGHT TUBE.

**R-30**  
**BAGGER JACK**

**ROGEN CORP**  
14105 Commerce Drive  
Becker, MN 55308

PHONE: (612) 281-2290  
FAX: (612) 281-2289

INDEX NO.	PART NO.	DESCRIPTION
1	625	PLASTIC HOOK
2	624	PLASTIC MOLDED CAP
3	627	BEARING CLUTCH
4	623	CONICAL CUP
5	621	TRIP ROD & COLLAR
6	622	SLIDING TUBE
7	628	IMPACT STOPPER
8	960	UPRIGHT TUBE & BASE ASSEMBLY
9	961	FOOT PEDAL

## TO ASSEMBLE THE R-30 JACK

- 1 PLACE THE UPRIGHT TUBE ON ITS BACK ON A FLAT SURFACE WITH THE FOOT PEDAL OPENING UP. (SEE FIGURE 3)



FIGURE 3

- 2 ASSEMBLE TRIP ROD, COLLAR & SLIDING TUBE AS SHOWN IN FIGURE 4.
3. PLACE IMPACT STOPPER ON WASHER END OF THE SLIDING TUBE AND PUSH ASSEMBLY, BENT END OF THE TRIP ROD FIRST, INTO THE OPEN END OF THE UPRIGHT TUBE & BASE ASSEMBLY. BENT END OF THE TRIP ROD SHOULD PROTRUDE THROUGH THE OPENING IN THE BASE OF THE UPRIGHT TUBE. SLOWLY PUSH THE SLIDING TUBE INTO THE UPRIGHT TUBE.
4. SET THE R-30 BAGGER UPRIGHT ON THE FLOOR AND INSTALL THE CONICAL CUP, BEARING, PLASTIC CAP AND PLASTIC HOOK.
5. PLACE BENT END OF TRIP ROD IN REAR PEDAL HOLE & INSTALL PEDAL WITH 10-32 x 3" BOLT AND LOCK NUT.

AristoCraft, Inc. provides the information contained herein in good faith but makes no representation as to its comprehensiveness or accuracy. This document is intended only as a guide to the appropriate precautionary handling of the material by a properly trained person using this product. Individuals receiving the information must exercise their independent judgement in determining its appropriateness for a particular purpose. ARISTOCRAFT, INC. MAKES NO REPRESENTATIONS OR WARRANTIES, EITHER EXPRESS OR IMPLIED, INCLUDING WITHOUT LIMITATION ANY WARRANTIES OF MERCHANTABILITY, FITNESS FOR A PARTICULAR PURPOSE WITH RESPECT TO THE INFORMATION SET FORTH HEREIN OR THE PRODUCT TO WHICH THE INFORMATION REFERS. ACCORDINGLY, ARISTOCRAFT, INC. WILL NOT BE RESPONSIBLE FOR DAMAGES RESULTING FROM USE OF OR RELIANCE UPON THIS INFORMATION.