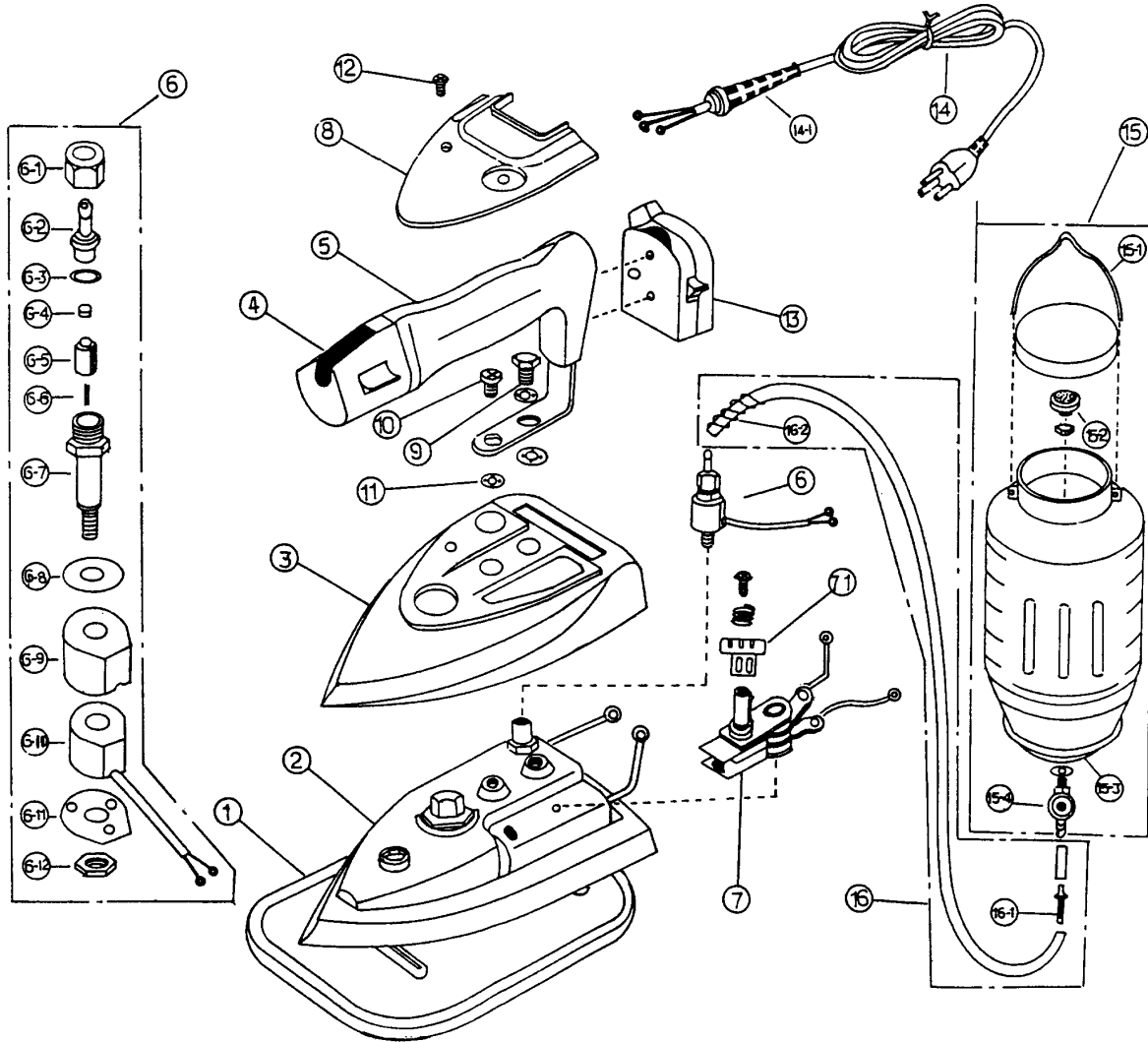


Gravity Fed
Iron - Pacific Steam

Exploded View



ITEM #	PART #	DESCRIPTION	ITEM #	PART #	DESCRIPTION
1	IR-SM	Silicone over metal Iron Rest	6.12	5-14019	Locking Nut
2	5-138200	Base Assembly 120V	7	5-151504	HT-577 Thermostat Assembly
2	5-138201	Base Assembly 230V	7.1	5-15065	Thermostat Knob
3	5-19816	Cover	8	5-19185	Thermo Shield
4	5-118001	Handle Cap Set	9	5-19038	Bolt Handle Mounting Bracket
5	5-17104	Rubber Handle Set	10	5-19817	Tap Tight Screw
6	5-145290	Solenoid Valve Assembly 120V	11	5-19037	Mounting Bracket Washer
6	5-145260	Solenoid Valve Assembly 230V	12	5-53013	Screw
6.1	5-14005	Hose Barb Nut	13	5-124401	Main Switch Assembly
6.2	5-14001	Hose Barb Solenoid	14	5-18904	Line Cord Assembly 120V
6.3	5-14004	Valve O-Ring	14	5-18905	Line Cord Assembly 230V
6.4	5-14007	Rubber Packing	14.1	5-19833	Cord Protector
6.5	5-14101	Valve Pin	15	5-169000	Water Bottle Assembly
6.6	5-14011	Valve Spring	15.1	5-16009	Water Bottle Hanger
6.7	5-14102	Valve Body	15.2	5-16102	Bottle Filter
6.8	5-54001	Valve Name Plate	15.3	5-16010	Water Bottle
6.9	5-14039	Coil Cover	15.4	5-16107	Water Control Valve
6.10	5-14506	Valve Coil 120V	16	5-16108	Silicone Hose Set
6.10	5-14505	Valve Coil 230V	16.1	5-16018	Hose Filter
6.11	5-14038	Coil Washer	16.2	5-16003	Silicone Hose Spring

AristoCraft, Inc. provides the information contained herein in good faith but makes no representation as to its comprehensiveness or accuracy. This document is intended only as a guide to the appropriate precautionary handling of the material by a properly trained person using this product. Individuals receiving the information must exercise their independent judgement in determining its appropriateness for a particular purpose. ARISTOCRAFT, INC. MAKES NO REPRESENTATIONS OR WARRANTIES, EITHER EXPRESS OR IMPLIED, INCLUDING WITHOUT LIMITATION ANY WARRANTIES OF MERCHANTABILITY, FITNESS FOR A PARTICULAR PURPOSE WITH RESPECT TO THE INFORMATION SET FORTH HEREIN OR THE PRODUCT TO WHICH THE INFORMATION REFERS. ACCORDINGLY, ARISTOCRAFT, INC. WILL NOT BE RESPONSIBLE FOR DAMAGES RESULTING FROM USE OF OR RELIANCE UPON THIS INFORMATION.