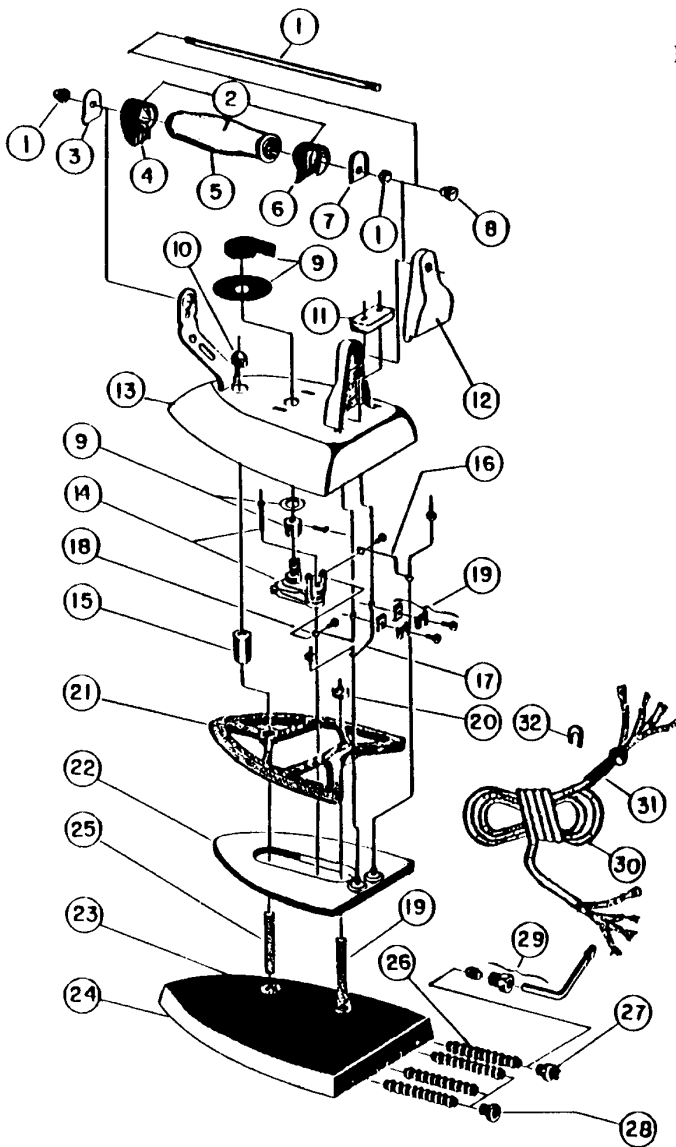
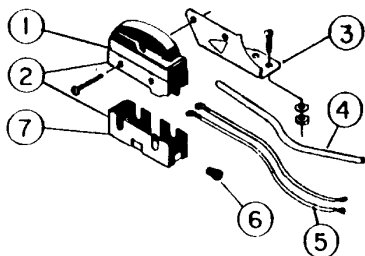


STEAM ELECTRIC IRON MODEL PSI-1 & PSI-2 - Pacific Steam



Ref No.	Part No.	Description
1	S 9	Handle Bolt and Nut
2	X 16	Handle (Cork grip w/ends)
3	X 58	Front Handle Plate
4	X 54	Front Handle End
5	X 56	Cork Grip w/core
6	X 55	Rear Handle End
7	X 59	Rear Handle Plate
8	S 17	Rear Handle Nut
9	X 49	A.C. Knob and Dial Assembly
10	X 50	Crown Nut
11	X 95	Terminal Insulator Block
12	X 118	Rear Guard
13	X 117	Cover w/Handle Supports
14	X 2	Thermostat
15	X 109	Cover Spacer
16	X 97	Element to Thermostat Wire
17	X 98	Element to Terminal Wire
18	X 99	Thermostat to Terminal Wire
19	X 121	Set of Two Terminal Clips
20	X 25	Back Short Stud and Hex Nut
21	X 100	A.C. Pressure Plate
22	XA14120	Heating Element (120V)
	XA14240	Heating Element (240V)
23	X 150	Element Spacer
24	X 3	3 lb. Sole Plate
25	X 72	Front Long Stud
26	X 110	Wicks
27	X 74	Renewable Inlet Plug
28	X 66	Renewable Plug
29	X 76	3 pc. Steam Tube Assembly
30	SV100	7'4" Wire Cord Assembly
31	X 130	Rubber Sleeve
32	X 132	Strain Relief Clamp

THUMB SWITCH PARTS



Ref No.	Part No.	Description
1	SV 281	Electric Thumb Switch
2	SV 28	Electric Thumb Switch with Cover
3	SV 33	Mounting Plate, Bolts and Nuts
4	SV 34	Tube
5	SV 37	Two Wires, Teflon Insulated
6	SV 36	No. 3 Wire Connector
7	SV 63	Switch Cover with Screws