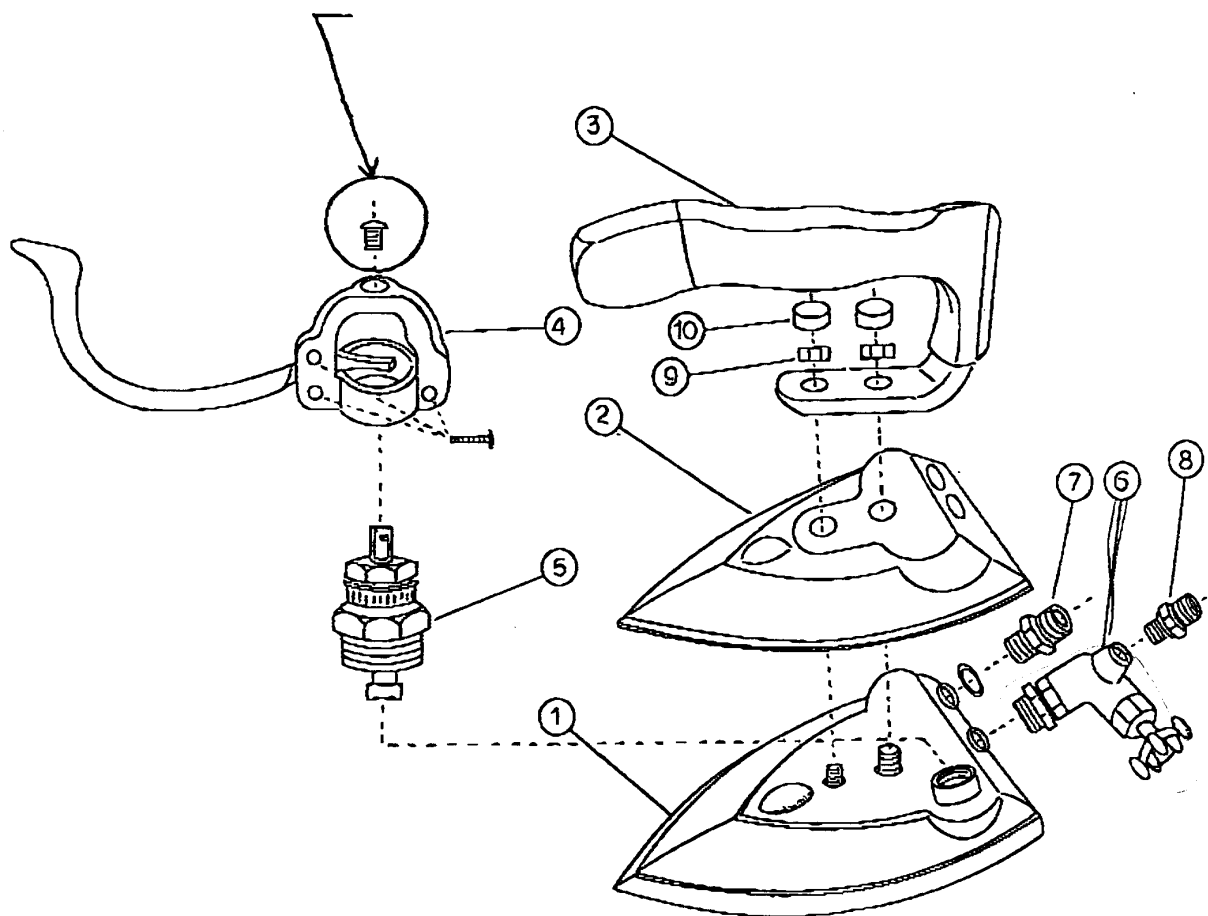


All Steam Iron

Model: PSI-4P
(Exploded View)

*Pacific
Steam*

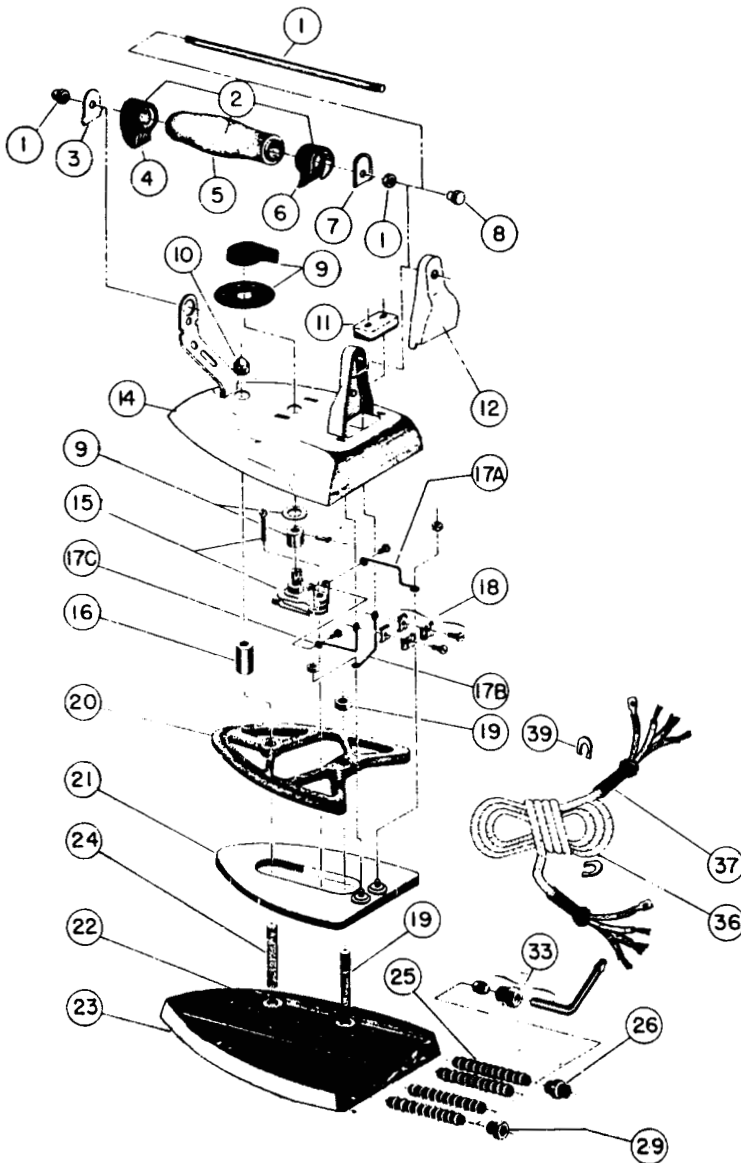


PART #	DESCRIPTION
1	#4P 31045 BASE ASSEMBLY FOR PSI-4P
2	#4P 30202 COVER
3	#4P 31046 RUBBER HANDLE
4	#4P 31038 LEVER HANDLE SET
5	#4P 31029 STEAM VALVE SET
6	#4P 31043 EXIT VALVE SET
7	#4P 30033 ENTRANCE NIPPLE
8	#4P 30028 EXIT NIPPLE
9	#4P 21014 HEX NUT (1/4")
10	#4P 21169 RUBBER CAP (1/4")
	#4P 30040 RUBBER CAP (3/8")

08/24/95 THU 13:24 [TX/RX NO 7759] 002

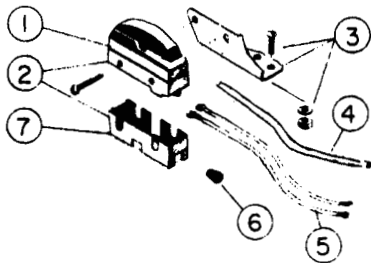
AristoCraft, Inc. provides the information contained herein in good faith but makes no representation as to its comprehensiveness or accuracy. This document is intended only as a guide to the appropriate precautionary handling of the material by a properly trained person using this product. Individuals receiving the information must exercise their independent judgement in determining its appropriateness for a particular purpose. ARISTOCRAFT, INC. MAKES NO REPRESENTATIONS OR WARRANTIES, EITHER EXPRESS OR IMPLIED, INCLUDING WITHOUT LIMITATION ANY WARRANTIES OF MERCHANTABILITY, FITNESS FOR A PARTICULAR PURPOSE WITH RESPECT TO THE INFORMATION SET FORTH HEREIN OR THE PRODUCT TO WHICH THE INFORMATION REFERS. ACCORDINGLY, ARISTOCRAFT, INC. WILL NOT BE RESPONSIBLE FOR DAMAGES RESULTING FROM USE OF OR RELIANCE UPON THIS INFORMATION.

PACIFIC Iron (SA-3E), SAPPORO Iron and CISSELL Iron (ACB11, ACB13)
Parts List



Ref. No.	Part No.	Description
1.	S 9Handle Bolt and Nuts
2.	X 16Handle (Cork Grip w/Ends)
3.	X 58Front Handle Plate
4.	X 54Front Handle End
5.	X 56Cork Grip w/Core
6.	X 55Rear Handle End
7.	X 59Rear Handle Plate
8.	S 17Rear Handle Nut
9.	X 49A.C. Knob and Dial Ass'y
10.	X 50Crown Nut
11.	X 95Terminal Insulator Block
12.	X 118Rear Guard
14.	X 117Cover w/Handle Supports
15.	X 2A.C. Thermostat w/Mtg. Scw.
16.	X 109Cover Spacer
17A.	X 97Element to Thermostat (terminal connector)
17B.	X 98Element to Terminal (terminal connector)
17C.	X 99Thermostat to Terminal (terminal connector)
18.	X 121Set of 2 Terminal Clips, Guides and Screws
19.	X 25Back Short Stud and Hex Nut
20.	X 100A.C. Pressure Plate
21.	XA141201000 Watt Element 120 Volts A.C.
	XA14240" " " 240 " "
22.	X 150Element Spacer
23.	X 33 Lb. Sole Plate (Steam-Electric)
24.	X 72Front Long Stud
25.	X 110Wicks
26.	X 74Renewable Inlet Plug
29.	X 66Renewable Plug
33.	X 76Steam Tube Ass'y
36.	SV 100	7'4" Four Wire Electric Cord w/Rubber Sleeves
37.	X 130(.350 I.D.) Rubber Sleeve
39.	X 132Strain Relief Clamps

THUMB SWITCH PARTS



Ref. No.	Part No.	Description	Ref. No.	Part No.	Description
1.	SV 281Electric Thumb Switch	7.	SV 63Switch Cover and Screws
2.	SV 28Electric Thumb Switch and Cover			
3.	SV 33Mounting Plate, Bolts and Nuts			
4.	SV 34Tube			
5.	SV 37Two Wires, Glass Insulated			
6.	SV 36No. 3 Wire Connector			