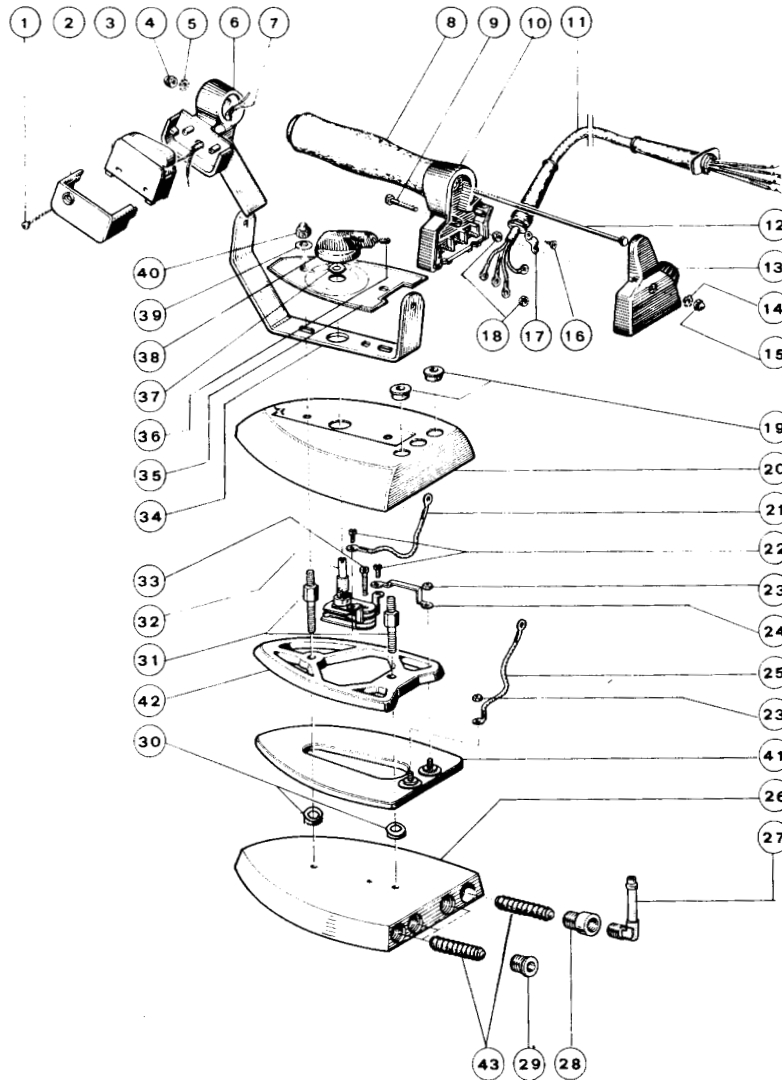


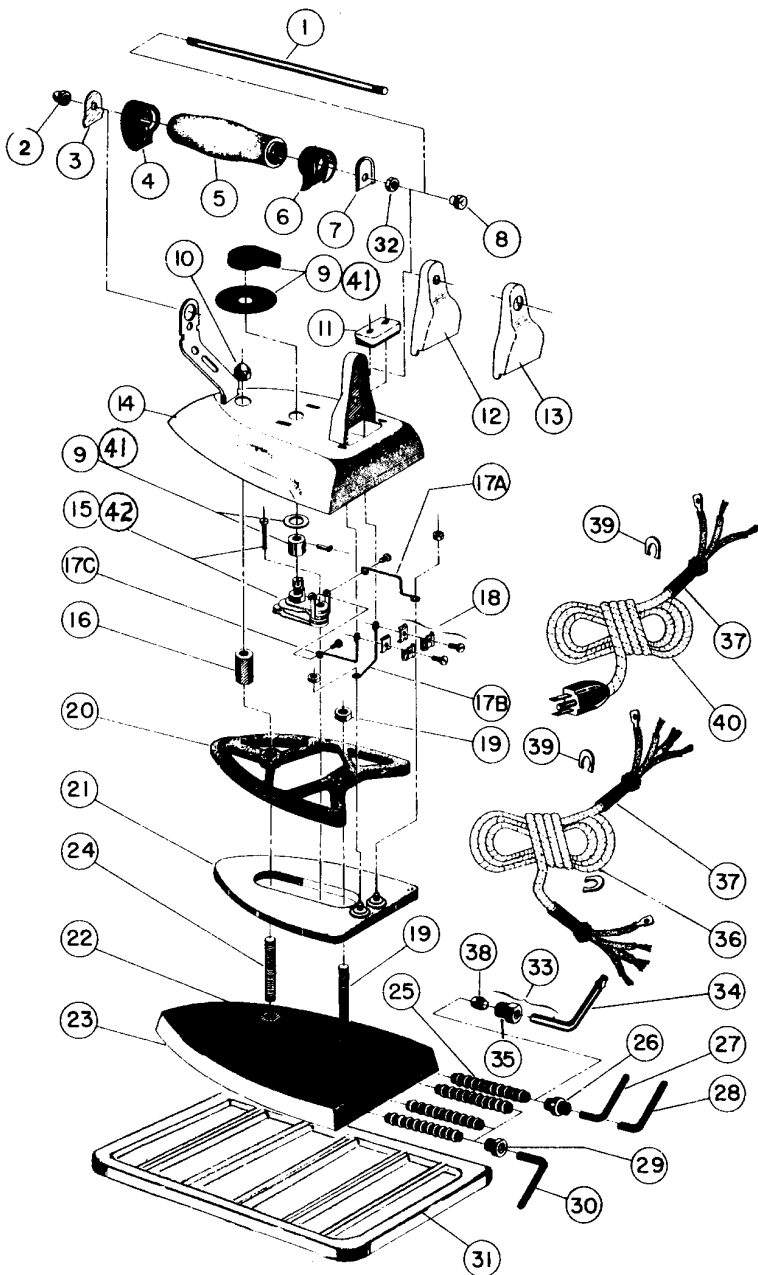
# CISSELL Steam Electric Iron - ACA115(120v), ACA13(240v)

## Parts List



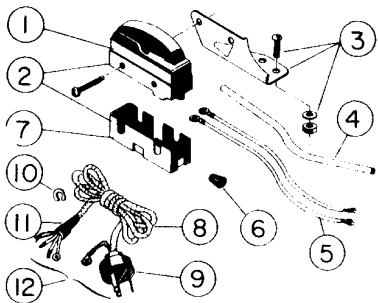
|    |       |                                 |    |         |                                    |
|----|-------|---------------------------------|----|---------|------------------------------------|
| 1  | XD101 | SCREW FOR THUMB SWITCH          | 23 | XD123   | HEX NUT                            |
| 2  | XD102 | THUMB SWITCH COVER              | 24 | XD124   | THERMOSTAT/HEATER WIRE WITH SLEEVE |
| 3  | XD103 | THUMB SWITCH                    | 25 | XD125   | WHITE THERMOSTAT WIRE WITH SLEEVE  |
| 4  | XD104 | CHROWN NUT                      | 26 | XD126   | IRON SOLE PLATE                    |
| 5  | XD105 | INTERNAL TOOTH LOCK WASHER      | 27 | XD127   | ELL CONNECTOR FOR STEAM SUPPLY     |
| 6  | XD106 | FRONT HANDLE END                | 28 | XD128   | BUSHING                            |
| 7  | XD107 | THUMB SWITCH WIRES              | 29 | XD129   | PLUG                               |
| 8  | XD108 | CORK HANDLE                     | 30 | XD130   | LOCATOR SPACER                     |
| 9  | XD109 | SCREW FOR REAR COVER            | 31 | XD131   | DUAL THREADED HEX BOLT             |
| 10 | XD110 | REAR HANDLE END                 | 32 | XD132   | THERMOSTAT                         |
| 11 | XD111 | 4-WIRE CORD ASSEMBLY            | 33 | XD133   | THERMOSTAT MOUNTING SCREW          |
| 12 | XD112 | LONG HANDLE BOLT                | 34 | XD134   | HANDLE SUPPORT                     |
| 13 | XD113 | REAR COVER                      | 35 | XD135   | INSTRUCTION NAMEPLATE              |
| 14 | XD114 | INTERNAL TOOTH LOCK WASHER      | 36 | XD136   | CONTROL KNOB SCREW                 |
| 15 | XD115 | SMALL CROWN NUT                 | 37 | XD137   | CONTROL KNOB WASHER                |
| 16 | XD116 | STRAIN RELIEF SCREW             | 38 | XD138   | CONTROL KNOB WASHER                |
| 17 | XD117 | STRAIN RELIEF CLAMP             | 39 | XD139   | WASHER                             |
| 18 | XD118 | HEX NUT                         | 40 | XD140   | LARGE CROWN NUT                    |
| 19 | XD119 | RED INSULATING BUSHING          | 41 | XA14120 | 120 VOLT HEATER ELEMENT            |
| 20 | XD120 | IRON COVER                      |    | XA14240 | 240 VOLT HEATER ELEMENT            |
| 21 | XD121 | RED THERMOSTAT WIRE WITH SLEEVE | 42 | X100    | PRESSURE PLATE                     |
| 22 | XD122 | THERMOSTAT SCREWS               | 43 | X110    | IRON WICKS                         |

STEAM-ELECTRIC & ELECTRIC IRON (3,6,8,10 Lb. Solid Sole Plate) MODEL XB



| Ref. No. | Part No. | Description  |
|----------|----------|--|
| 1.       | S 9      | Handle Bolt  |
| 2.       | S20      | Crown Nut  |
| 3.       | X 58     | Front Handle Plate   |
| 4.       | X 54     | Front Handle End   |
| 5.       | X 56     | Cork Grip w/Core   |
| 6.       | X 55     | Rear Handle End  |
| 7.       | X 59     | Rear Handle Plate  |
| 8.       | S 17     | Rear Handle Nut  |
| 9.       | X 49     | A.C. Knob and Dial Ass'y   |
| 10.      | X 50     | Crown Nut  |
| 11.      | X 95     | Terminal Insulator Block   |
| 12.      | X 118    | Rear Guard (standard) w/o Water Spray Gun                                      |
| 13.      | X 119    | Rear Guard w/Water Spray Gun   |
| 14.      | X 117    | Cover w/Handle Supports  |
| 15.      | X 2      | A.C. Thermostat w/Mtg. Scw.  |
| 16.      | X 109    | Cover Spacer   |
| 17A.     | X 97     | Element to Thermostat (terminal connector)                                     |
| 17B.     | X 98     | Element to Terminal (terminal connector)                                       |
| 17C.     | X 99     | Thermostat to Terminal (terminal connector)                                    |
|          | X 116    | Set of 3 Terminal Connector X 97 X 98 and X 99                                 |
| 18.      | X 121    | Set of 2 Terminal Clips, Guides and Screws                                     |
| 19.      | X 25     | Back Short Stud and Hex Nut  |
| 20.      | X 100    | A.C. Pressure Plate  |
| 21.      | XA14/20  | 1000 Watt Element 120 Volts A.C.   |
|          | XA14240  | " " " 240 " " "  |
| 22.      | X 150    | Element Spacer   |
| 23.      | X 3      | 3 Lb. Sole Plate (Steam-Electric)  |
|          | X 6      | 6 Lb. Sole Plate (Steam-Electric)  |
|          | X 8      | 8 Lb. Sole Plate (Steam-Electric)  |
|          | X 10     | 10 Lb. Sole Plate (Steam-Electric)   |
|          | XE3      | 3 Lb. Sole Plate (Electric)  |
|          | XE6      | 6 Lb. Sole Plate (Electric)  |
|          | XE8      | 8 Lb. Sole Plate (Electric)  |
|          | XE10     | 10 Lb. Sole Plate (Electric)   |
| 24.      | X 72     | Front Long Stud  |
| 25.      | X 110    | Wicks (pkg. of 3)  |
| 26.      | X178     | Renewable Inlet Plug   |
| 27.      | X 77     | 3/16" Hexagon Wrench   |
| 28.      | X 151    | 3/32" Hexagon Wrench   |
| 29.      | X 66     | Renewable Plug   |
| 30.      | X 67     | 1/4" Hexagon Wrench  |
| 31.      | PIU23    | Iron Rest  |
| 32.      | TU3266   | Nut  |
| 33.      | X 76     | Steam Tube Ass'y   |
| 34.      | X 75     | Steam Tube Only w/Straight Thread  |
| 35.      | X 51     | 1/4" Nut   |
| 36.      | SV100    | 7/4" Four Wire Electric Cord w/ Rubber Sleeves                                 |
| 37.      | X 130    | (.350 I.D.) Rubber Sleeve  |
| 38.      | PUG      | 1/4" Bead  |
| 39.      | X 132    | Strain Relief Clamps   |
| 40.      | SV 111   | 7/4" 3 Wire Electric Cord w/2 Pole 3 Wire Grounded Plug (Model XAE-1 or XBE-1) |
| 41.      | X 203    | Poly Knob and Dial Ass'y   |
| 42.      | X 201    | Poly Thermostat w/Mtg. Scw.  |

THUMB SWITCH PARTS & GROUNDED REPLACEMENT CORD



| Ref. No. | Part No. | Description                     | Ref. No. | Part No. | Description   |
|----------|----------|---------------------------------|----------|----------|---|
| 1.       | SV 281   | Electric Thumb Switch           | 7.       | SV 63    | Switch Cover and Screws                             |
| 2.       | SV 28    | Electric Thumb Switch and Cover | 8.       | SV169    | 7/4" Four Wire Cord w/One Rubber Sleeve (Less Plug) |
| 3.       | SV 33    | Mounting Plate, Bolts and Nuts  | 9.       | SV 38    | Three Prong Plug w/Armor Grip                       |
| 4.       | SV 34    | Tube                            | 10.      | X 132    | Strain Relief Clamp                                 |
| 5.       | SV 37    | Two Wires, Glass Insulated      | 11.      | X 130    | Rubber Sleeve (.350 I.D.)                           |
| 6.       | SV 36    | No. 3 Wire Connector            | 12.      | SVA 82   | 7/4" Four Wire Electric Cord (Complete)             |

**Cissell**  
MANUFACTURING COMPANY

831 South First St.  
P.O. Box 32270  
Louisville, KY  
40232-2270  
502/587-1292

Pacific Coast Office:  
4823 West Jefferson Blvd.  
Los Angeles, CA 90016  
213/731-2196

Foreign Distributors  
write Export Dept.  
Telex No. 204158  
FAX No. 502-585-3625

European Headquarters:  
Pantex-Cissell B.V.  
P.O. Box 53, 9670 AB  
Winschoten, Holland  
Telex No. 53535

MAN73  
9-87 10M B&K