

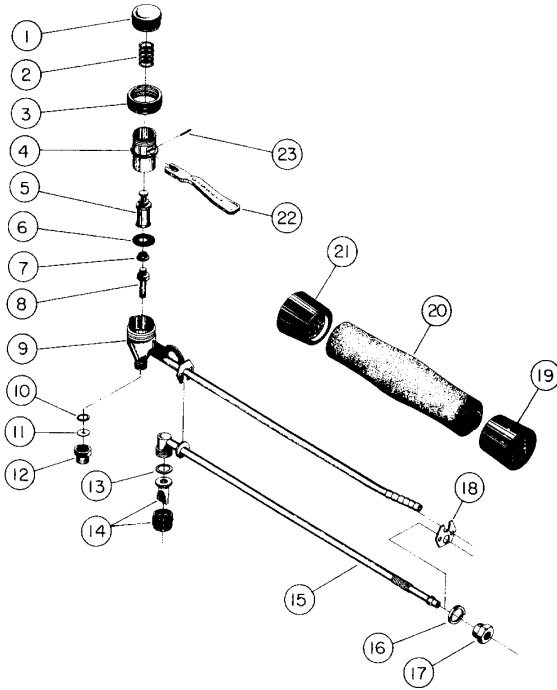
**CISSELL MANUFACTURING COMPANY**

P.O. Box 32270, Louisville, KY 40232-2270  
502/587-1292

Pacific Coast Office: 4823 West Jefferson Blvd.  
Los Angeles, CA 90016 213/731-2196

Foreign Distributors write Export Dept., Cable Code  
"Cissell" Telex No. 204158

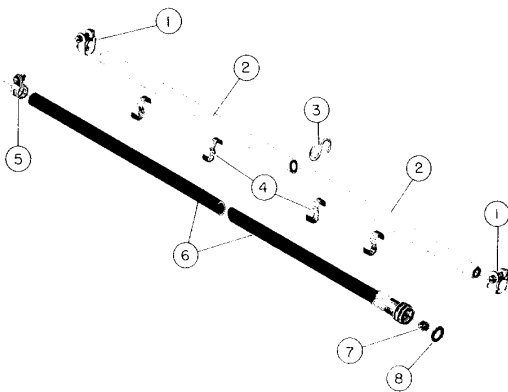
European Headquarters: Pantex-Cissell B.V., P.O. Box 53,  
9670 AB Winschoten, Holland, Telex No. 53535



PU109 - Prespotting Gun & Hose Assembly

PU108 - Prespotting Gun Only

REF. NO.	PART NO.	DESCRIPTION
1.	SGP 29	Spring Nut
2.	SGP 31	Compression Spring
3.	SG1 53	Diaphragm Nut
4.	PU 995	Sleeve
5.	PU 98	Plunger Slide Ass'y
6.	SG 8	Diaphragm
7.	PU 93	Plunger Washer
8.	PU 94	Plunger w/Nylon Tip
9.	PU 90	Solvent Tube, Hanger and Body
10.	PU 97	Nylon Nozzle Gasket
11.	PU 96	Orifice
12.	PU 95	Nozzle
13.	SG 25	Hose Gaskets (Pkg. of 6)
14.	SU 40	Renewable Tip w/Nut
15.	PU 100	Steam Tube
16.	SU 53	Lock Washer
17.	SU 44	Lock Nut
18.	PU 91	Rear Gun Support
19.	SU 48	Back Handle End
20.	X 56	Cork Handle
21.	SU 47	Front Handle End
22.	PU 92	Thumb Lever
23.	SG1 55	Thumb Lever Pin (Pkg. of 3)
	SU 43	Cork Handle Assembly Consists of: Ref. No. 19, 20, 21



REF. NO.	PART NO.	DESCRIPTION
1.	J 42	Large Hose Clamp
2.	PU 78	.4 1/2 ft. Synthetic Steam Hose (without fittings) For Special Length Assemblies Specify Length Required
3.	J17	'S' Hook
4.	LB19	Twin Hose Clip (Pkg. of 2) 4 Required
5.	GSB145	Small Hose Clamp
6.	PU 79	.4 1/2 ft. Synthetic Solvent Hose Assembly For Special Length Assemblies Specify Length Required
7.	SG32A	Strainer (Pkg. of 3)
8.	SG 25	Hose Gasket (Pkg. of 6)
	PU 26	Twin Hose Assembly (Includes one .4 1/2 ft. length synthetic steam hose and two hose clamps, one .4 1/2 ft. synthetic solvent hose with nut, ferrule, strainer, washer and one hose clamp. 4 twin hose clips and one "S" hook.)

AristoCraft, Inc. provides the information contained herein in good faith but makes no representation as to its comprehensiveness or accuracy. This document is intended only as a guide to the appropriate precautionary handling of the material by a properly trained person using this product. Individuals receiving the information must exercise their independent judgement in determining its appropriateness for a particular purpose. ARISTOCRAFT, INC. MAKES NO REPRESENTATIONS OR WARRANTIES, EITHER EXPRESS OR IMPLIED, INCLUDING WITHOUT LIMITATION ANY WARRANTIES OF MERCHANTABILITY, FITNESS FOR A PARTICULAR PURPOSE WITH RESPECT TO THE INFORMATION SET FORTH HEREIN OR THE PRODUCT TO WHICH THE INFORMATION REFERS. ACCORDINGLY, ARISTOCRAFT, INC. WILL NOT BE RESPONSIBLE FOR DAMAGES RESULTING FROM USE OF OR RELIANCE UPON THIS INFORMATION.